

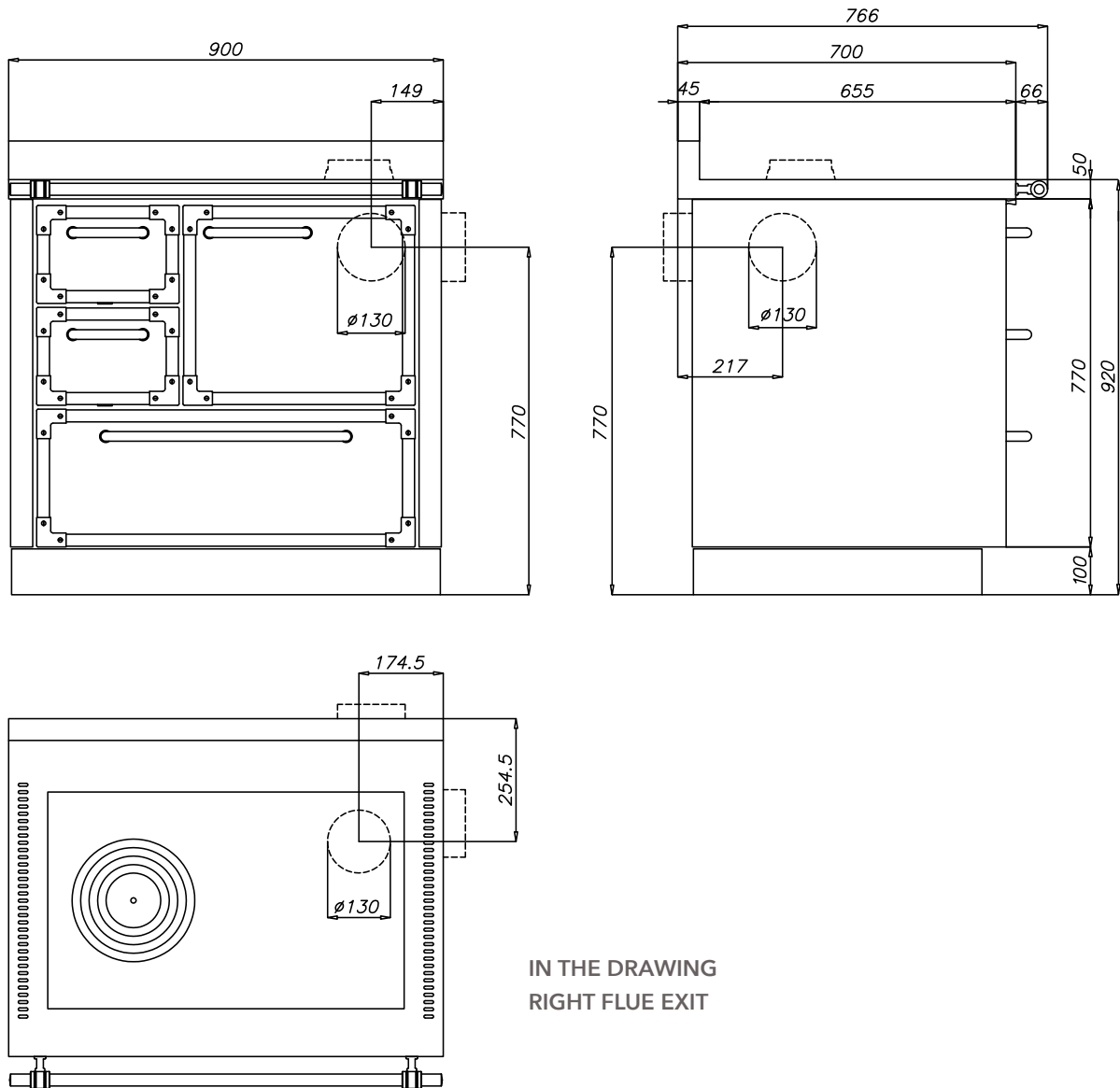


de manincor

ITALIAN MASTERPIECES SINCE 1828

WOOD COOKER FCR90

TECHNICAL SHEET



IN THE DRAWING
RIGHT FLUE EXIT

Flue depression: mbar 0.12

DIMENSIONS: 900 x 700 x h 920 mm

WORKTOP: 2mm-thick stainless steel with built-in cast iron cooking plate
front worktop h 50 mm, front handrail.
Cast iron plate 74x45 cm

NOMINAL OUTPUT: 5.5 kW

Net Weight/with packaging: Kg. 230/250