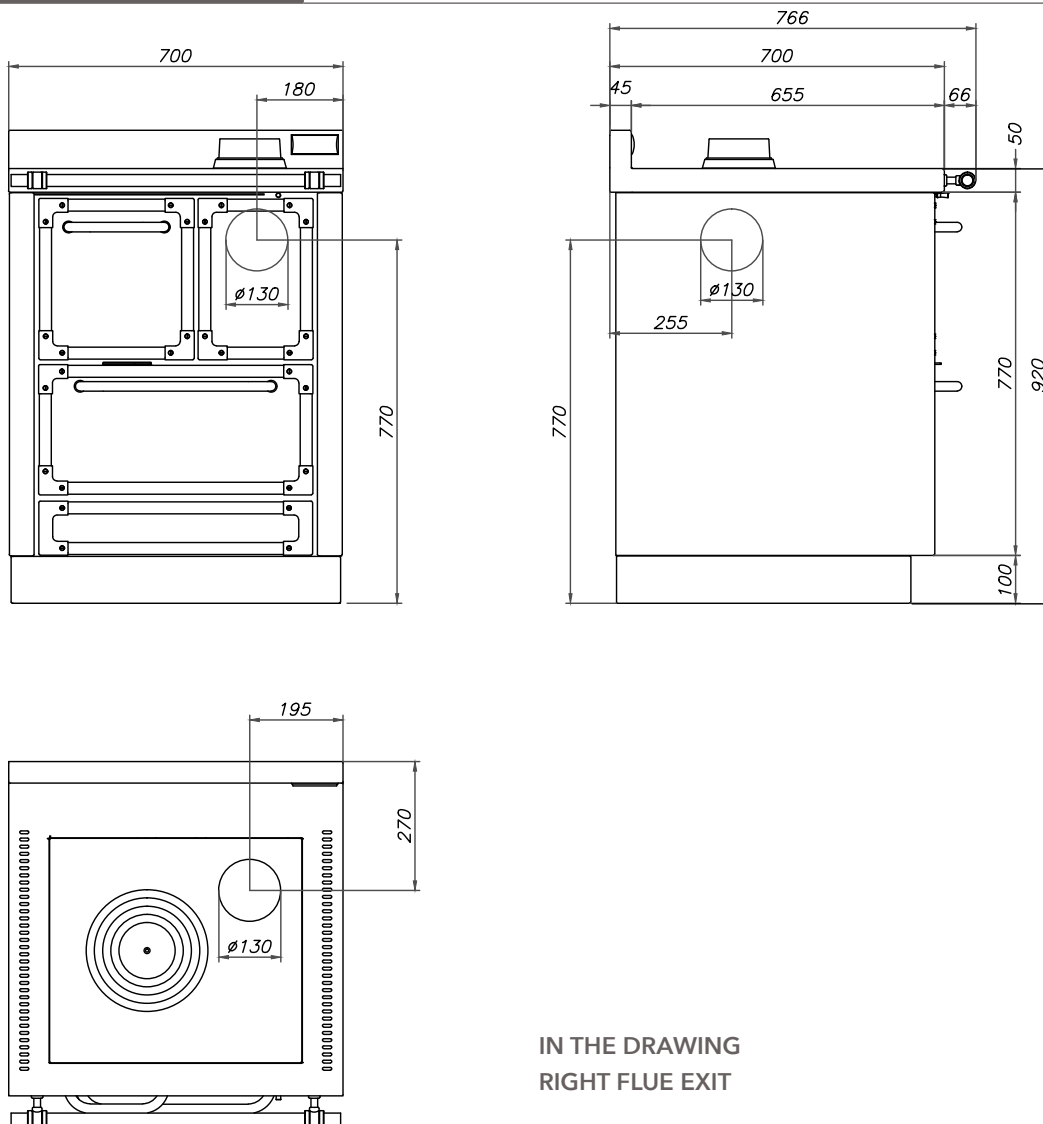


**WOOD COOKER FCR70**

**TECHNICAL SHEET**



**IN THE DRAWING  
RIGHT FLUE EXIT**

Flue depression: mbar 0.12

**DIMENSIONS:** 700 x 700 x h 920 mm

**WORKTOP:** 2mm-thick stainless steel with built-in cast iron cooking plate  
front worktop h 50 mm, front handrail.  
Cast iron plate 48x45 cm

**NOMINAL OUTPUT:** 4.5 kW

**Net Weight/with packaging:** Kg. 160/180